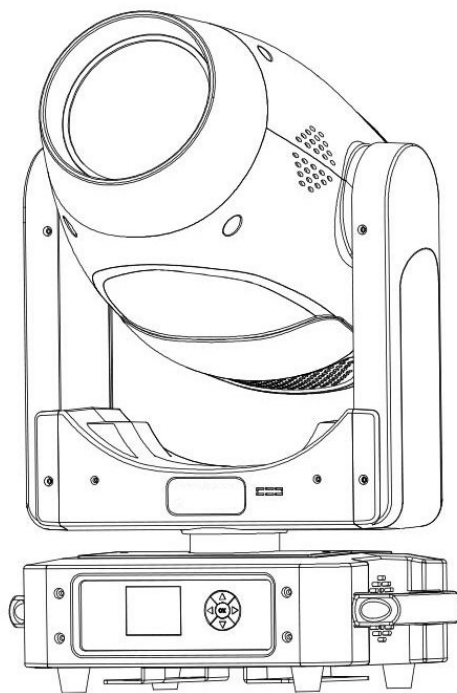


380W Beam/Spot/Wash 3in1 Moving Head Light



Instruction Manual

----- 2022 Ver1.20220623 -----

Unpacking: Thank you for purchasing BSW380, Every unit has been thoroughly tested and has been shipped in perfect operating condition. Carefully check the shipping carton for damage that may have occurred during shipping. If the carton appears to be damaged, carefully inspect your fixture for any damage and be sure all accessories necessary to operate the unit has arrived intact. In the case damage has been found or parts are missing, please contact the manufacturer or your dealer for further instructions. Do not return this unit to your dealer without first contacting.

FOR YOUR OWN SAFETY, PLEASE READ THIS USER MANUAL CAREFULLY BEFORE POWERING OR INSTALLING BSW380. SAVE IT FOR FUTURE REFERENCE.

Warning! To prevent or reduce the risk of electrical shock or fire, do not expose this unit to rain or moisture.

PLEASE consider that damages caused by manual modifications to the device are not subject to warranty.

Caution! There are no user serviceable parts inside this unit. Do not attempt any repairs yourself; doing so will void your manufactures warranty. In the unlikely event your unit may require service please contact the manufacturer or your dealer.

PLEASE recycle the shipping carton when ever possible.

General Instructions: To optimize the performance of this product, please read these operating instructions carefully to familiarize you with the basic operations of this unit. These instructions contain important safety information regarding the use and maintenance of this unit.

Features

- Multi Colors +goboes
- Color strobe
- Electronic Dimming 0-100%
- DMX-512 protocol
- Master/Slave synchronization
- LCD operation menu with function buttons
- Daisy Chain Units Together in DMX Mode

Safety Precautions

- To reduce the risk of electrical shock or fire, do not expose this unit to rain or moisture.
- Do not spill water or other liquids into or on to your unit.
- Be sure that the local power outlet matches that of the required voltage for your unit.
- Do not attempt to operate this unit if the power cord has been frayed or broken. Do not attempt to remove or break off the ground prong from the electrical cord. This prong is used to reduce the risk of electrical shock and fire in case of an internal short.
- Disconnect from main power before making any type of connection.
- Do not remove the cover under any conditions. There are no user serviceable parts inside.

- Never operate this unit when it's cover is removed.
- Never plug this unit in to a dimmer pack.
- Always be sure to mount this unit in an area that will allow proper ventilation. Allow about 6" (15cm) between this device and a wall.
- Do not attempt to operate this unit, if it becomes damaged.
- This unit is intended for indoor use only; use of this product outdoors voids all warranties.
- During long periods of non-use, disconnect the unit's main power.
- Always mount this unit in safe and stable matter.
- Power-supply cords should be routed so that they are not likely to be walked on or pinched by items placed upon or against them, paying particular attention to the point they exit from the unit.
- Cleaning -The fixture should be cleaned only as recommended by the manufacturer. See "Cleaning" for details.
- Heat -The appliance should be situated away from heat sources such as radiators, heat registers, stoves, or other appliances (including amplifiers) that produce heat.
- The fixture should be serviced by qualified service personnel when:
 - A. The power-supply cord or the plug has been damaged.
 - B. Objects have fallen, or liquid has been spilled into the appliance.
 - C. The appliance has been exposed to rain or water.
 - D. The appliance does not appear to operate normally or exhibits a marked change in performance.

Technical Specifications

Electrical

Power supply:.....electronic auto-ranging
 Input voltage range:.....supply 90-250V, 50/60Hz
 Fuse:..... 5 A@220V
 Power consumption:.....450W@230V

Optic

Light source: Osram 371W lamp* 1piece
 Lifespan: 1500 hours
 Dimmer: Smooth dimmer from 0-100%
 Fixed gobo wheel: 11 Gobos+Open
 Rotating gobo wheel: 7gobos+Open
 Animation dish: 4 gobos+ fire effect
 Color Wheel: 13 colors+White
 Two prism wheels: 8-facet prism+16 prism
 2-40deg electronic zoom
 Focus+Frost
 Beam+Spot+Wash

Motorized

Pan/Tilt
 Pan movement range: 540°

Tilt movement range: 270°
 16 bit movement resolution
 Automatic Pan/Tilt position correction
 Pan movement 0°-540° at max.....Speed: 2.2 sec.
 Tilt movement 0°-270° at max..... Speed: 1.2 sec.

LCD operation

Built-in demo sequences
 Silent fans cooling
 Strong three-phase motors
 Stand-alone operation
 Supported protocols: DMX512
 2 DMX modes (20/25 control channels)

Connection

DMX data in/out: Locking 3-pin and 5-pin XLR
 AC power input: 1.5m power cord with plug

Rigging

Mounting points: 2 pairs of 1/4-turn locks
 Mounting horizontally or vertically via 2 Omega brackets

Temperatures

Maximum ambient temperature: 45°C
 Maximum housing temperature: 75°C

Minimum distances

Min. distance from flammable surfaces: 3.0m
 Min. distance to lighted object: 2.0m

Total heat dissipation: 1200 BTU/h (calculated)
 Net dimension: 393(L) x 260(W) x 668(H) mm
 Weight (net): 24.5kgs
 Warranty: 1 Year


Set Up:

Power Supply: Before plugging your unit in, be sure the source voltage in your area matches the required voltage for your BSW380, The model is Auto power supply, It is workable in 90-250V/50~60Hz. Please make sure your unit voltage matches the wall outlet voltage before attempting to operate you fixture.

Connection to the mains

For protection from electric shock, the fixture must be earthed!
 Install a suitable plug on the power cord, note that the cores in the power cord are colored according to the following table. The earth has to be connected!
 If you have any doubts about proper installation, consult a qualified electrician.

Core (EU)	Core (US)	Connection	Plug Terminal Marking
-----------	-----------	------------	-----------------------

Brown Light blue Yellow/Green	Black White Green	Live Neutral Earth	L N 
-------------------------------------	-------------------------	--------------------------	---

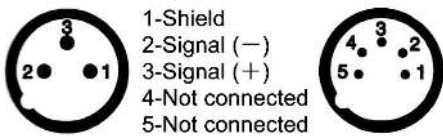
DMX512 connection

The fixture is equipped with 3-pin or 5-pin XLR sockets for DMX input and output. The sockets are wired in parallel.

Only use a shielded twisted-pair cable designed for RS-485 and 3-pin or 5-pin XLR-plugs and connectors in order to connect the controller with the fixture or one fixture with another.

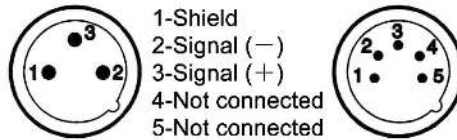
DMX-output

XLR mounting-sockets (rear view):



DMX-input

XLR mounting-plugs (rear view):



DMX Linking: To ensure proper DMX data transmission, when using several DMX fixtures try to use the shortest cable path possible. The order in which fixtures are connected in a DMX line does not influence the DMX addressing. For example; a fixture assigned a DMX address of 1 may be placed anywhere in a DMX line, at the beginning, at the end, or anywhere in the middle. When a fixture is assigned a DMX address of 1, the DMX controller knows to send DATA assigned to address 1 to that unit, no matter where it is located in the DMX chain.

Operating Modes: You can use the BSW380 in 3 ways:

- Auto Mode - The unit will automatically chase through the different colors and built-in programs.
- Slave Mode – The unit will run under slave mode.
- DMX control mode - This function will allow you to control each individual fixtures traits with a standard DMX 512 controller.

DMX Mode: Operating through a DMX controller give the user the freedom to create their own programs tailored to their own individual needs. This function also allows you to use your fixtures as spot lights.

1. This function will allow you to control each individual fixture’s traits with a standard DMX 512 controller.
2. The BSW380 uses 20/25 DMX channels modes to operate. Please see “DMX Values and Functions” for the DMX traits.
3. To run your fixture in DMX mode, plug in the fixture via the XLR connections to any standard DMX controller. Set your desired DMX address following the setup specifications that come with your DMX controller.

Touch Buttons:

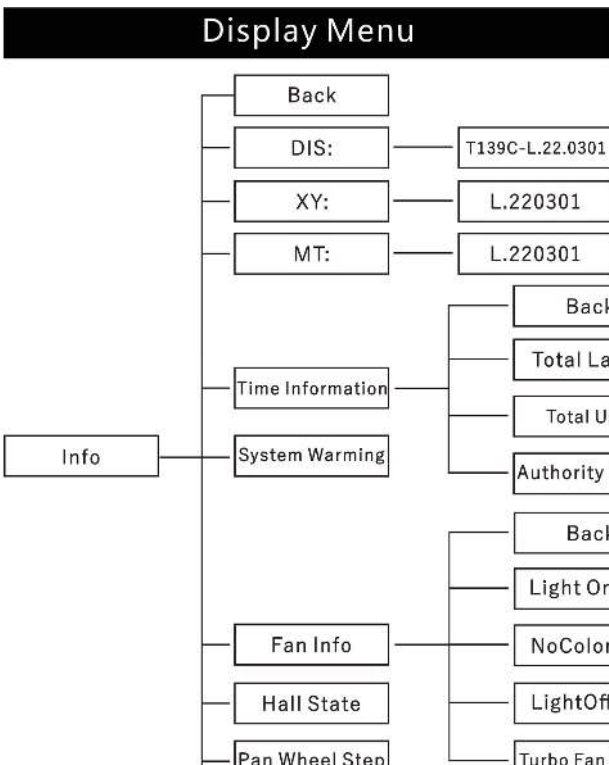
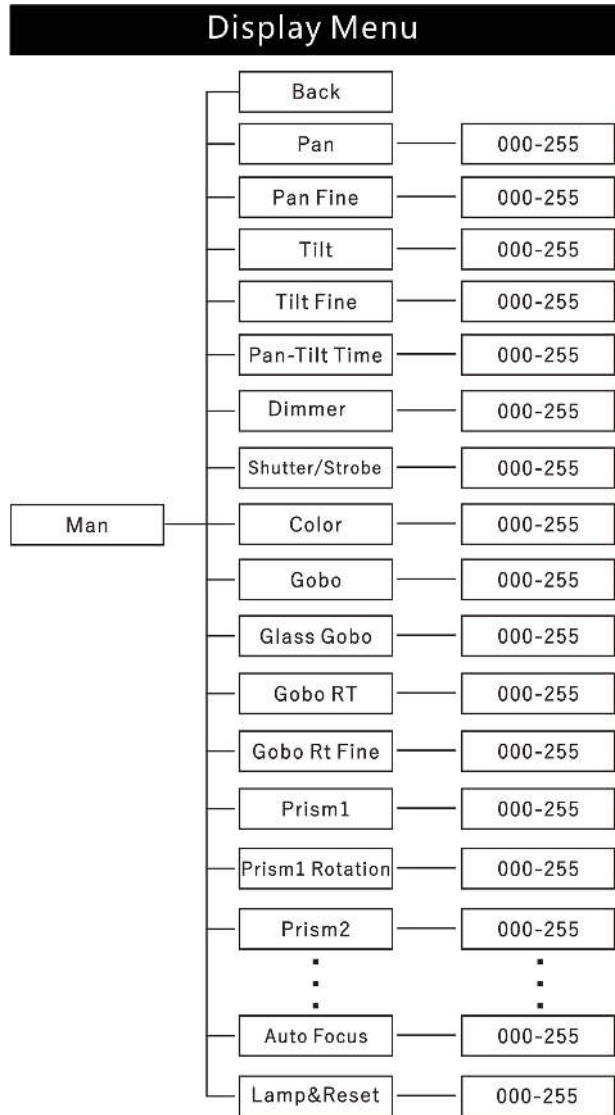
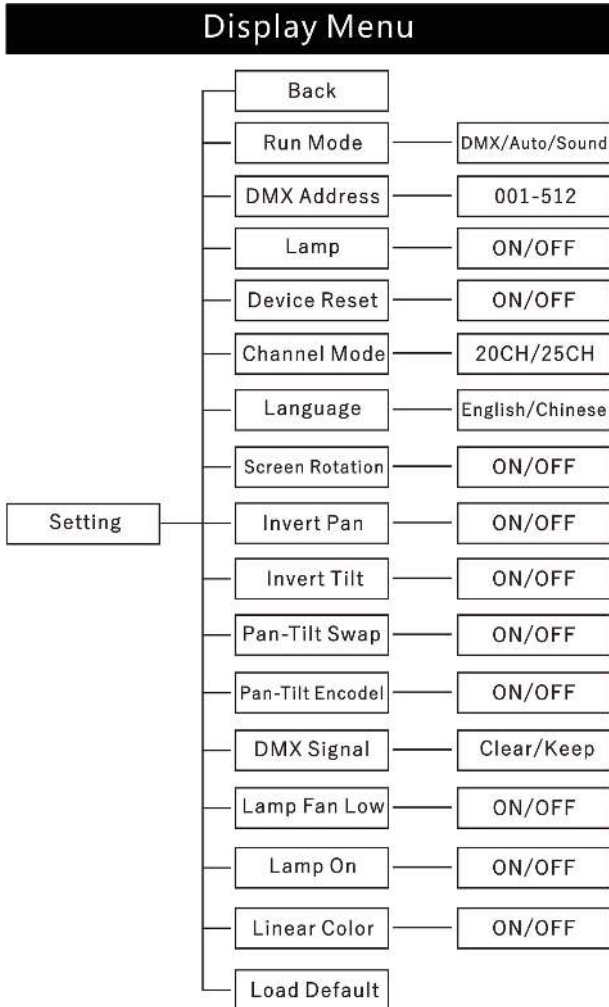
There are Five touch buttons nearby the LCD display: Menu, Up, Down, Enter and



Invert, the LCD will display the current DMX address code of the fixture. At this time, presses up and down to choose the functions you want.

LCD Operation Menu: LCD screen with Five touch buttons: **MENU, UP, DOWN, ENTER and INVERT**

LCD display operation:



DMX Chart:

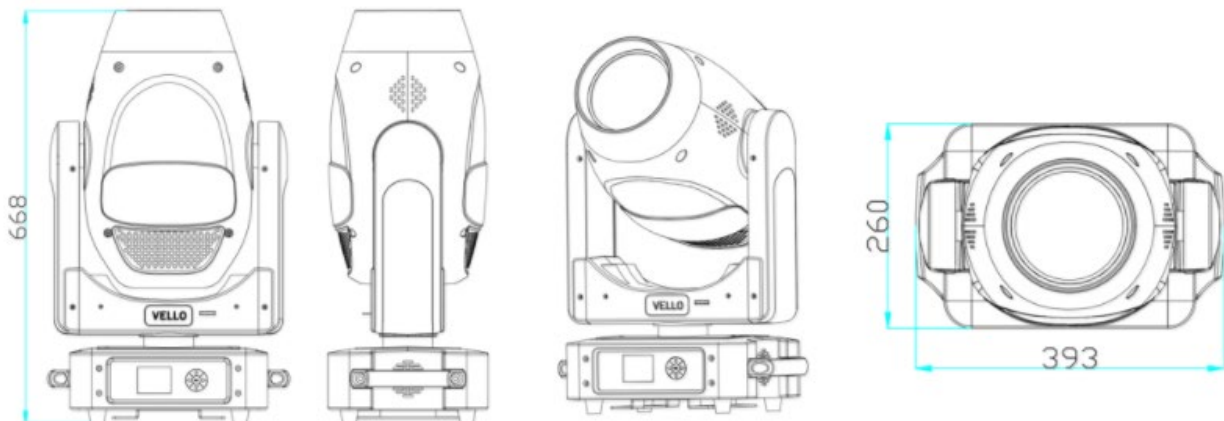
Mode/Channel		Value	Function
25CH	20CH		
1	1	000-255	Pan 0-100%
2	2	000-255	Pan fine 0-100%
3	3	000-255	Tilt 0-100%
4	4	000-255	Tilt fine 0-100%
5	*	000-255	Pan/Tilt Speed Fast -> Slow
6	5	000-255	Dimmer 0 -> 100%
7	6	248-255 132-247 016-131 000-015	Strobe/Shutter Open Pulse:Slow -> Fast Strobe:Slow -> Fast Close
8	7	219-255 217-218 180-216 176-179 172-175 168-171 164-167 160-163 156-159 152-155 148-151 144-147 140-143 136-139 132-135 128-131 001-127 000	Color Wheel Rotation(CCW):Slow -> Fast Stop Rotation(CW): Fast -> Slow Color13 Color12 Color11 Color10 Color9 Color8 Color7 Color6 Color5 Color4 Color3 Color2 Color1 Color Index White

9	*	0-255	Color Wheel fine 0 -> 100%
10	8	221-255 218-220 183-217 175-182 167-174 159-166 151-158 143-150 135-142 127-134 119-126 111-118 103-110 095-102 087-094 079-086 071-078 063-070 055-062 047-054 039-046 031-038 023-030 015-022 007-014 000-006	Fixed Gobo Rotation(CCW): Slow -> Fast Stop Rotation(CW): Fast -> Slow Gobo11 Shake: Slow -> Fast Gobo10 Shake: Slow -> Fast Gobo9 Shake: Slow -> Fast Gobo8 Shake: Slow -> Fast Gobo7 Shake: Slow -> Fast Gobo6 Shake: Slow -> Fast Gobo5 Shake: Slow -> Fast Gobo4 Shake: Slow -> Fast Gobo3 Shake: Slow -> Fast Gobo2 Shake: Slow -> Fast Gobo1 Shake: Slow -> Fast Gobo11 Gobo10 Gobo9 Gobo8 Gobo7 Gobo6 Gobo5 Gobo4 Gobo3 Gobo2 Gobo1 Open

11	9	204-255 202-203 150-201 140-149 130-139 120-129 110-119 100-109 090-099 080-089 070-079 060-069 050-059 040-049 030-039 020-029 010-019 000-009	Rotating Gobo Rotation(CCW): Slow -> Fast Stop Rotation(CW): Fast -> Slow Gobo7 Shake: Slow -> Fast Gobo6 Shake: Slow -> Fast Gobo5 Shake: Slow -> Fast Gobo4 Shake: Slow -> Fast Gobo3 Shake: Slow -> Fast Gobo2 Shake: Slow -> Fast Gobo1 Shake: Slow -> Fast Gobo7 Gobo6 Gobo5 Gobo4 Gobo3 Gobo2 Gobo1 Open
12	10	193-255 128-192 000-127	Rotating Gobo Rotation Gobo Rotation(CCW): Slow -> Fast Gobo Rotation(CW): Fast -> Slow Gobo Index
13	*	000-255	Rotating Gobo Rotation Fine 0 -> 100%
14	11	090-255 080-089 070-079 060-069 050-059 040-049 030-039 020-029 010-019 000-009	Animation disk Animation: Slow -> Fast Gobo4 Shake: Slow -> Fast Gobo3 Shake: Slow -> Fast Gobo2 Shake: Slow -> Fast Gobo1 Shake: Slow -> Fast Gobo4 Gobo3 Gobo2 Gobo1 Open
15	12	128-255 0-127	Prism1 Prism1 Open
16	13	194-255 190-193 128-189 000-127	Prism1 Rotation Prism Rotation(CCW): Slow -> Fast Prism Static Prism Rotation(CW): Fast -> Slow Prism Index
17	14	128-255 000-127	Prism2 Prism2 Open

18	15	194-255 190-193 128-189 000-127	Prism2 Rotation Prism Rotation(CCW): Slow -> Fast Prism Static Prism Rotation(CW): Fast -> Slow Prism Position
19	16	128-255 000-127	Frost Frost Open
20	17	000-255	Focus 0 -> 100%
21	*	000-255	Focus Fine 0 -> 100%r
22	18	000-255	Zoom 0 -> 100%
23	*	000-255	Zoom Fine 0 -> 100%
24	19	216-255 176-215 136-175 096-135 056-095 016-055 000-015	Auto Focus 13m 11m 9m 7m 5m 3m Safe
25	20	201-255 161-200 120-160 100-119 080-099 060-079 040-059 000-039	System Control All reset Head reset P/T Reset Lamp Full Power Lamp Half Power Lamp Off Lamp On Unused

Fixture dimension: 393*260*668mm



Caution: Fixture may cause severe injuries when crashing down! If you have doubts concerning the safety of a possible installation, do not install the moving head!

Before rigging make sure that the installation area can hold a minimum point load of 10 times the fixture's weight.

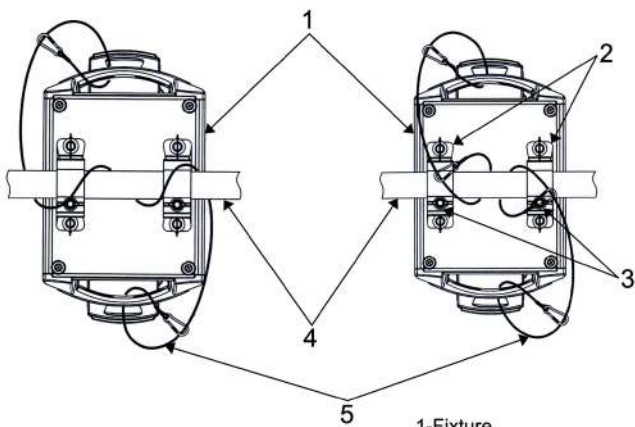
When installing the fixture, ensure there is no flammable material (decoration articles, etc.) in a distance of 1 meter around the fixture.

CAUTION:

Use the correct rigging technique.

Follow the instructions.

Make sure the fixture is properly secured.



- 1-Fixture
- 2-Omega holder
- 3-Clamp
- 4-Truss
- 5-Safety chain

Securing the fixture via one safety wire

Securing the fixture via two safety wires

Cleaning

Due to fog residue, smoke, and dust cleaning the internal and external optical lenses must be carried out periodically to optimize light output.

1. Use normal glass cleaner and a soft cloth to wipe down the outside casing.
2. Clean the external optics with glass cleaner and a soft cloth every 20 days.
3. Always be sure to dry all parts completely before plugging the unit back in.

Cleaning frequency depends on the environment in which the fixture operates (i.e. smoke, fog residue, dust, dew).

TROUBLE SHOOTING: Listed below are a few common problems the user may encounter, with solutions.

Unit not respond to DMX:

1. Check that the DMX cables are connected properly and are wired correctly (pin 3 is “hot”; on some other DMX devices pin 5 may be ‘hot’). Also, check that all cables are connected to the right connectors; it does matter which way the inputs and outputs are connected.

Note: All information is subject to change without prior notice.