

6-Color PAR LIGHT Manual

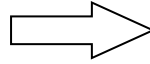


CE

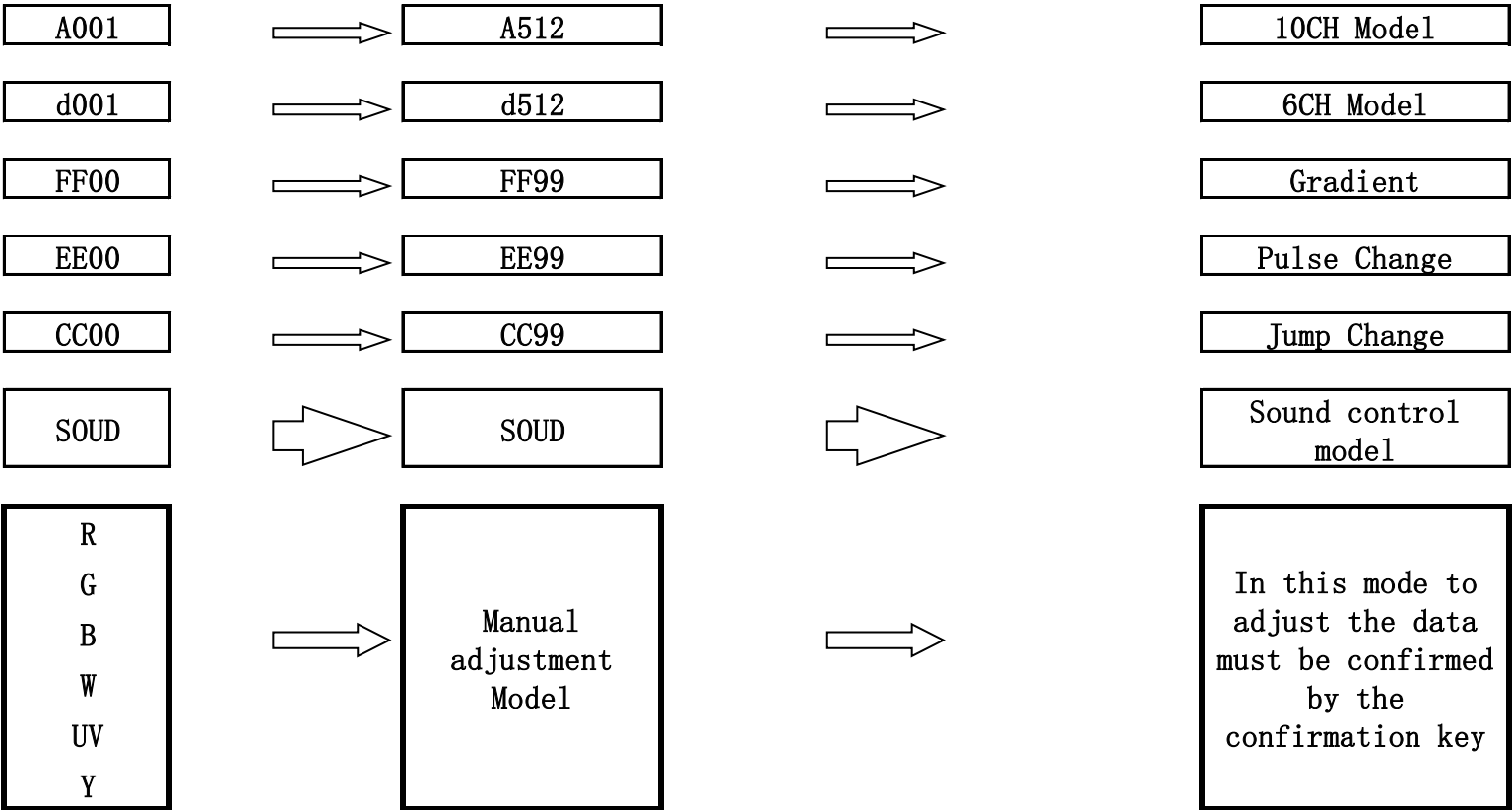
I, Display board.

Press Manu to enter main menu, press UP or DOWN to select submenu, press ENTER to determine.

Only in the A001 mode long press 3 seconds into the current adjustment mode, press confirm key to exit.



MANU UP DOWN ENTER



II, Channel table

5	Channel value	Function description	10 Channel	Channel value	Function description	
CH1	0	Red Off	CH1	0-255		Total dimming
	1-255	Open from dark to bright	CH2	0-9	No effect	Strobe
CH2	0	Green Off		10-255	From slow to fast	
	CH3	1-255	Open from dark to bright	0-9	Dimming	
0		Blue Off	10-19	Red		
	1-255	Open from dark to bright	20-29	Green		
	0	White Off	30-39	Blue		

CH4	0-255	Open from dark to bright	CH3	40-49	Red-Green	Functional model
CH5	0	Orange Off		50-59	Red-Blue	
	1-255	Open from dark to bright		60-69	Green-Blue	
CH6	0	Purple Off		70-79	Red-Green-Blue	
	0-255	Open from dark to bright		80-89	Orange	
				90-99	Purple	
				100-149	Gradient	
				150-199	Pulse Change	
				200-229	Jump Change	
				230-255	Sound Control	
CH4	0-255	From slow to fast	CH4	0-255	From slow to fast	Functional Speed
CH5	0-255	From Dark to bright	CH5	0-255	From Dark to bright	Red
CH6	0-255	From Dark to bright	CH6	0-255	From Dark to bright	Green
CH7	0-255	From Dark to bright	CH7	0-255	From Dark to bright	Blue
CH8	0-255	From Dark to bright	CH8	0-255	From Dark to bright	White
CH9	0-255	From Dark to bright	CH9	0-255	From Dark to bright	Purple
CH10	0-255	From Dark to bright	CH10	0-255	From Dark to bright	Orange

III, Master-Slave Machine setting

The 2 units or more than 2 units of the same lamp with 3-core signal cable connection, set any host for the demonstration program or gradient, jump, other lamps in the A001 mode, then enter the master-slave mode, the display does not blink.

IV, Technical parameters

- Power model 1, AC220V/50W/120W.
- Power model 2, DC24V/50W/120W.
- Power model 3, AC240V/60W/120W.
- Power model 4, DC24V/60W/120W.
- Light Source, 36W/108W/180W LED.
- Channel, 10 DMX512 control channels.
- Sound Control, Built-in program, master-slave control.
- Strobe effect, program selection color, color transformation.
- Level 256 FAI degree, 0-100% linear dimming, camera video real no flicker, more colorful color.

